



## Spin Dryers Vegetable Dryer, 5 Kg - Automatic cycle

ITEM # \_\_\_\_\_

MODEL # \_\_\_\_\_

NAME # \_\_\_\_\_

SIS # \_\_\_\_\_

AIA # \_\_\_\_\_



**603354 (DEL40F)**

5 kg vegetable dryer with 32 lt basket volume. Spin drying automatic cycle

### Short Form Specification

Item No. \_\_\_\_\_

Body in stainless steel and basket in high quality resin. Fully opening plastic lid, equipped with a micro switch to stop the machine if lid is opened. Two cycles: "automatic" which alternates rotation with several sudden stops (for all vegetables); "manual" thanks to the adjustable timer up to 59 minutes (for delicate vegetables). Flat and waterproof touch button control panel. Rotation speed: 450 rpm. Residual water is eliminated through an outlet pipe. IP55 and IP34 protection. Supplied with 32 litre basket. Load capacity: 5 kg- 9 lettuce heads.

### Main Features

- Spin drying cycle with short drying time (1 to 2 minutes).
- "Automatic" cycle alternates rotation to several sudden stops, suitable for all vegetables.
- "Manual" cycle uses adjustable timer up to 59 minutes, to be used for delicate vegetables.
- Outlet pipe eliminates residual water.
- Timer with digital display and countdown.
- Heavy vegetables load per cycle: 5 Kg
- Light vegetables load per cycle: 9 units of lettuce heads.
- Safety device stops the machine when the cover is opened.
- Electrical braking system to stop basket rotation in a matter of seconds at the end of the cycle or when lid is opened.

### Construction

- Stainless steel body.
- Resin basket, 32 liters in capacity.
- Basket rotates at approximately 450 rpm.

### Included Accessories

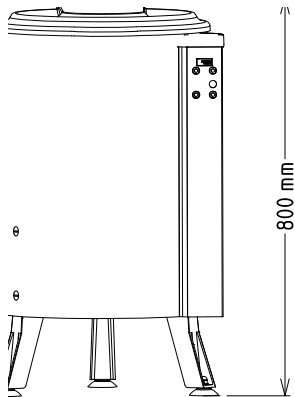
- 1 of Basket for 5 kg vegetable dryer PNC 653131

### Optional Accessories

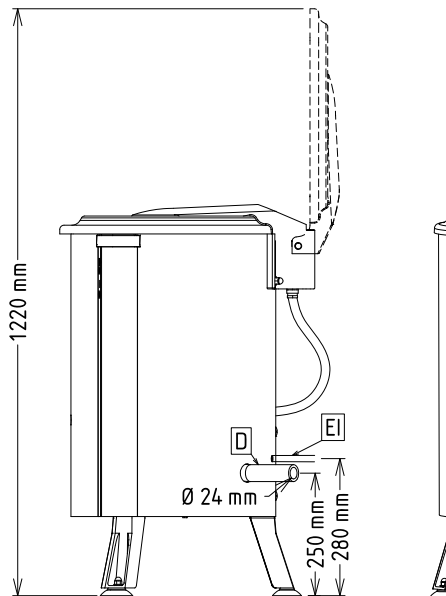
- Basket for 5 kg vegetable dryer PNC 653131

APPROVAL: \_\_\_\_\_

Front

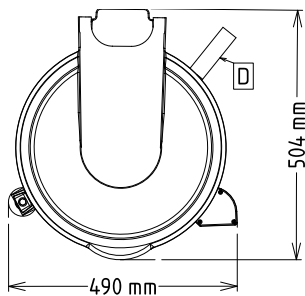


Side



**D** = Drain  
**EI** = Electrical inlet (power)

Top



### Electric

<b>Supply voltage:</b>	220-240 V/1N ph/50/60 Hz
<b>Electrical power, max:</b>	0.37 kW
<b>Total Watts:</b>	0.37 kW

### Key Information:

<b>External dimensions, Width:</b>	460 mm
<b>External dimensions, Depth:</b>	540 mm
<b>External dimensions, Height:</b>	800 mm
<b>Shipping weight:</b>	47 kg
<b>Well Capacity:</b>	32 lt
<b>Usable well capacity:</b>	32 lt
<b>Load per cycle - light vegetables:</b>	9 units of lettuce
<b>Load per cycle - heavy vegetables:</b>	5 KG VEGETABLES